

**YANGI YERLARNI O'ZLASHTIRISHDA KUNDAKOV MASHINALARNING
AHAMIYATI**

Savriddinov Abrorjon Anvar o'g'li

Annotatsiya: *Maqolada yangi yerlarni o'zlashtirishda ishlatiladigan kundakov mashinalarining ahamiyati, ularni qo'llash jarayonidagi mavjud muammolar va kamchiliklar hamda unga berilgan yechim haqida so'z yuritiladi. Shu bilan birga yangi yerlarni o'zlashtirishda yangicha konstruksiyadagi ishchi jihozga ega kundakov mashinasini qo'llash teklif etiladi.*

Kalit so'zlar: *yoysimon limex, kundakov mashina, qamragich, gidrosilindir, ustun.*

Yangidan ochilib, o'zlashtirilgan yerlarni ekishga tayyorlash uchun quyidagi ishlar amalga oshiriladi: daraxt, har xil o'simliklar va butalardan tozalash, to'nkalarni kovlash va yig'ib olish, o'simliklarni yig'ish va olib chiqish, tosh va xarsangtoshlarni yig'ish va olib chiqish, yerni tekislash va yumshatish.

Yerlarni ekishga tayyorlovchi mashinalarni quyidagi turlarga bo'lish mumkin: butakeskichlar, kundakovlar, tosh yig'uvchi kombaynlar, maxsus yumshatkichlar, mola va boronalar.

Yangi yerlarni o'zlashtirishda bir necha xildagi buta keskichlar va kundakov mashinalaridan foydalalanadi.

Curved Blade Series-D90 daraxtlarni qazish va ko'chirib o'tqazish mashinasi. Katta o'lchamdagi daraxtlarni ekish, ekish chuqurini tayyorlash va ekilgan daraxtlarni ko'chirib o'tqazish uchun mo'ljallangan. Ushbu uskunadan foydalanish balandligi 20 metrgacha bo'lgan va tanasining kengligi 90 sm bo'lgan juda katta daraxtlarni yil davomida qayta tiklashga imkon beradi. Ushbu texnikadan foydalangan holda katta daraxtni qayta tiklashda daraxtning ildiz tizimi deyarli zarar ko'rmaydi, bu esa daraxtlarning yuqori omon qolish darajasini (96%) ta'minlaydi.



1-rasm. Curved Blade Series-D90 daraxtlarni qazish va ko'chirib o'tqazish mashinasi.

Curved Blade Series-D90 daraxtlarni qazish va ko'chirib o'tqazish mashinasi ishchi jihozining kengligi 2 m 30 sm ni tashkil qiladi. Qazish chuqurligi esa 1m 52 sm bo'lib, og'irligi 5700 kg .



2-rasm.KP-3 teleskopik yuklagichga o'rnatilgan kundakov mashinasi.

KP-3 kundakov mashinasi yangi yerlarni ochishda va daraxt kundalaridan tozalashda o'zining samaradorligi bilan ajralib turadi. KP-3 kundakov mashinasi ildizlarining 1521 mm chuqurligigacha yetib bora oladigan ishchi jihozi orqali kundalar va daraxt ildizlarini oson kovlash imkonini yaratadi. Kp-3 kundakov mashinasini JCB, Manitou, Bobcat, New Holland, Claas, Merlo, Dieci, Faresin, Caterpillar kabi mashinalarga agregatlab ishlatish mumkin

1-jadval.

KP-3 kundakov mashinasining texnik tasnifi

t/	Nomlari	O'lchov gi	Qiymatlari
1	Tishlar soni	dona	3
2	Kengligi	mm	1284
3	Balandligi	mm	921
4	Chuqurligi	mm	1521
5	Og'irligi	kg	350

B10M (10M) kundakov mashinasi. Maksimal diametri 650 mm bo'lgan kundalarni, og'irligi 3 tonnagacha bo'lgan toshlarni, shuningdek, maksimal magistral diametri 120 mm bo'lgan kichik o'rmonlarni oldindan kesilmagan daraxtlarni, maksimal diametri 120 mm bo'lgan katta butalarni va maksimal balandligi 5 m ildiz qoldiqlarini olib tashlash uchun mo'ljallangan.



3-rasm. B10M (10M) Kundakov mashinasi

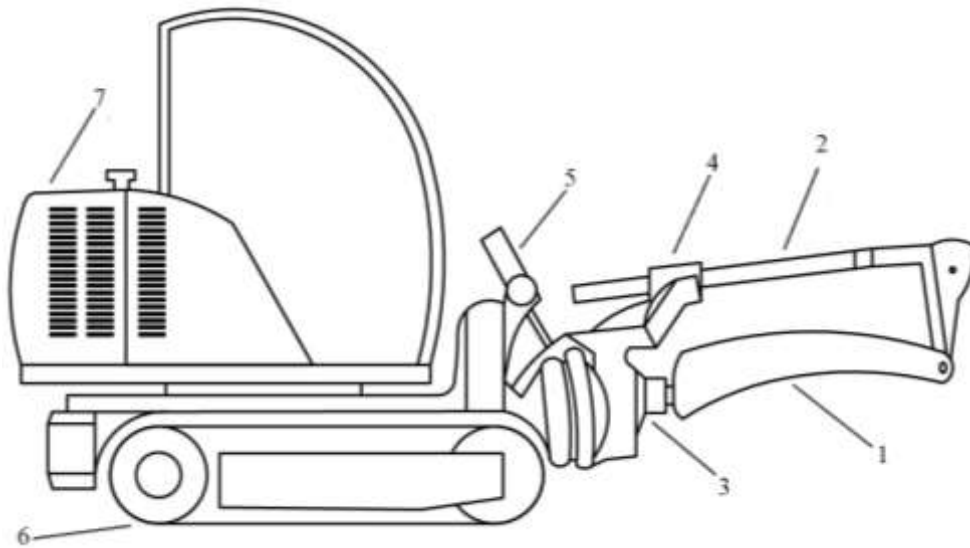
B10M (10M) kundakov mashinasi yo'l va qurilish ishlari uchun maydonlarni tozalashda: obodonlashtirish, yo'llarni yotqizish uchun buldozerga o'rnatilgan ildiz otish moslamasi. Dumaloq va og'ir toshlarni surish hamda ag'darish ishlarini bajaradi. Ishchi jihozni almashtirish onsonligi uning eng katta avzalligidir. B10M (10M) kundakov mashinasining ishchi jihozida tishlar soni har xil bo'lishi mumkin, ammo uning tishlari soni 6 dona bo'lishi standart sifatida kiritilgan. Undagi tishlar otvalning oldi qismiga o'rnatilgan bo'ladi.

2-jadval.

B10M (10M) kundakov mashinasining texnik tasnifi

t/	Nomlari	O'lchov gi	Qiymatlari
1	Tishlar soni	dona	6
2	Kengligi	mm	2460
3	Tish botish chuqurligi	mm	480
4	Balandligi	mm	1540
5	Uzunligi	mm	4000
6	Og'irligi	kg	2780

Yuqoridagi tahlillar shuni ko'rsatadiki mavjud kundakov mashinalari orqali daraxtlarni va kundalarni kovlab olish jarayonida ildiz sohasiga jiddiy zarar yetadi. Bu esa o'z navbatida qo'parib olingan daraxtni boshqa joyda ko'chirib o'tqazilganda omon qolish koeffitsienti tushirib yuboradi. Biz taklif etilayotgan ishchi jihoz yordamida oldindan kesilgan va kesilmagan daraxtlarni ildiz sohasiga shikast yetkazmasdan kovlab olish va boshqa joyga ko'chirib o'tqazish imkonini beradi. Taklif etilayotgan ishchi jihoz yoysimon 1 limexdan iborat bo'lib, uning bir uchi 2 qamragichga sharnirli, ikkinchi uchi esa 3 o'z o'qi atrofida aylanuvchi ustunga bikir mahkamlangan, 2 qamragich esa mashina bazasiga o'rnatilgan 4 qo'shimcha ramaga mahkamlanadi. 7 mashina bazasiga o'rnatilgan 4 qo'shimcha rama 5 gidrosilindir orqali tuproqqa tepaga va pastga harakatlanadi. 3 o'z o'qi atrofida aylanuvchi ustunga aylanma harakat gidromotor orqali beriladi. 3 o'z o'qi atrofida aylanuvchi ustun aylanma harakat qilishi orqali unga bikir mahkamlangan limexni 1 tuproqqa botiradi va daraxtlarni ildiz qismi bilan qazib olib uni boshqa joyga ko'chirib o'tqazadi. Taklif etilayotgan ishchi jihoz orqali diametri 60...180 sm bo'lgan daraxtlarni qazib olish va ko'chirib o'tqazish mumkin bo'ladi.



4-rasm. Takomillashgan ishchi jihozli kundakov mashinasi.

1-yoysimon limex, 2-qamragich, 3-o'z o'qi atrofida aylanuvchi ustun, 4-qo'shimcha rama, 5-gidrosilindir, 6-yurish jihozi, 7-mashina bazasi

Ishchi jihoz o'rnatilgan mashina daraxtga yaqinlashadi va 2 qamragich orqali qamrab olinadi, ishchi jihozi 5 gidrosilindir yordamida ishchi holatga keltiriladi, 2 qamragichning oldida turgan 1 limex 1800 burchakga buriladi va daraxt kesiladi. Shundan so'ng 1 limex 900 burchak ostida orqaga qaytariladi shundan so'ng qamragich daraxtni yon tomonidan, 1 yoysimon limex esa ost qismidan tutib daraxtni qazib oladi va ko'chirish jarayoni amalga oshiriladi.

XULOSA

Biz taklif etayotgan ishchi jihozimiz yordamida ko'chirilgan o'simliklar juda tez yangi joyda ildiz otadi, chunki siz faqat pichog'i bilan qazishingiz mumkin. Bu o'simliklarning ildiz tizimini deyarli zarar yetkazmaydi.

Yuqoridagi vazifalarni bajarish uchun 59 ot kuchiga ega mashina bazasi talab etiladi xolos.

FOYDALANILGAN ADABIYOTLAR:

1. Vafojev S.T., Musurmanov R.Q. Qurilish va melioratsiya mashinalarini ishlatish. Toshkent "Tafakkur Bo'stoni" 2015.
2. Vafojev S.T. Melioratsiya mashinalari. Toshkent "Fan texnologiya" 2013.
3. Vafojev S.T., Dauletov N. Qurilish va melioratsiya mashinalaridan foydalanish va texnik servis. Toshkent "Tafakkur Bo'stoni" 2013.
4. Vafojev S.T., Qurilish mashinalari. Toshkent 2014.
5. Muratov A.R. Hidromelioratsiya ishlarini tashkil qilish va mexanizatsiyalash. Toshkent "Turon-Iqbol" 2007 - y.
6. Vafojev S.T. va boshqalar. Melioratsiya mashinalarini hisoblash. O'quv qo'llan-masi. - Toshkent. 1996. - 104 b.

7. Vafoyev S.T. va boshqalar. Drenajni himoyalash.//O'zbekiston qishloq xo'jaligi. 2004. №8. 33 – 34 b.
8. Горский С.С., Мер И.И. Современные мелиоративные и строительные машины. – М.: Колос, 1970. 200 с.
9. Домбровский Н.Г. Многоковшовые экскаваторы. -М.: Машиностроение, 1972, 432 с.
10. Abrorjon Anvar o'gli , S., Shermurod Normurod o'g'li, S., Sarvinoz Muxtor qizi , Y., & Shaxriyor Ixtiyorjon o'g'li , D. (2023). PRIMARY SOIL TREATMENT AND BIOSOLVENT APPLICATION IN HEAVY AND MEDIUM SALT SOILS. INNOVATIVE DEVELOPMENTS AND RESEARCH IN EDUCATION, 2(14), 96–101. Retrieved from <https://interonconf.org/index.php/idre/article/view/2251>
11. U.I.Khasanov, M.M.Makhmudova, A.A.Savriddinov, K.S.Sobirov, & SH.T.Safarov. (2022). The Results of the Study of the Compactions of the Bottom of the Furrow in Plowing by Plug Corpusies as well as Tractor Wheels. Texas Journal of Agriculture and Biological Sciences, 4, 62–67. Retrieved from <https://zienjournals.com/index.php/tjabs/article/view/1716>
12. Imomov Sh., Jurayev A., Ruziqulov J., Kurbonboyev S., Ruziqulova D., Xusinov S., Madadkhonov T. (2022). THEORETICAL STUDIES ON THE DESIGN OF TRENCHER WORK EQUIPMENT. Eurasian Journal of Academic Research, 2(12), 989–996. <https://www.in-academy.uz/index.php/ejar/article/view/6504>
13. Sh.J.Imomov, J.U.Ruzikulov, S.S.Kurbanbayev, H.S.Safarov, K.S.Sobirov, and Z.Sh.Isakov "Technological process of provisional dig a ditch", Proc. SPIE 12296, International Conference on Remote Sensing of the Earth: Geoinformatics, Cartography, Ecology, and Agriculture (RSE 2022), 1229600 (6 July 2022); <https://doi.org/10.1117/12.2642980>
14. Sh. J. Imomov, J. U. Ruzikulov, S. S. Kurbanbayev, H. S. Safarov, K. S. Sobirov, and Z. Sh. Isakov "Technological process of provisional dig a ditch", Proc. SPIE 12296, International Conference on Remote Sensing of the Earth: Geoinformatics, Cartography, Ecology, and Agriculture (RSE 2022), 1229600 (6 July 2022); <https://doi.org/10.1117/12.2642980>
15. 4. Energy-saving device for temporary ditch digging I S Hasanov1, J U Ruzikulov1, F A Ergashov1, M J Toshmurodova1 and M R Sotlikova1 Published under licence by IOP Publishing Ltd IOP Conference Series: Earth and Environmental Science, Volume 868, International Conference on Agricultural Engineering and Green Infrastructure Solutions (AEGIS 2021) 12th-14th May 2021, Tashkent, Uzbekistan Citation I S Hasanov et al 2021 IOP Conf. Ser.: Earth Environ. Sci. 868 012091 DOI 10.1088/1755-1315/868/1/012091
16. 5. Ruzikulov Jasur Uktam ugli, Kurbanbayev Sindorbek Sarvarbek ugli, Nasrullayev Alpomish Anvarjon ugli, Safarov Khusniddin Sirojiddin ugli, Research on the establishment of an improved temporary ditch production device, Galaxy

international interdisciplinary research journal (GIIRJ), Volume 9, Issue 11, November, 2021

17. 6. Ruziqulov Jasur Uktam ugli, Isakov Zafarjon Shuxrat ugli, Qurbonboyev Sindorbek Sarvarbek ugli, Ruziqulova Dilnoza Uktamovna, Xusinov Sarvarbek Nodirbek ugli. (2022). INCREASING THE WORKING PRODUCTIVITY OF THE CASE 1150 L BULLDOZER BY IMPROVING THE WORKING EQUIPMENT. Neo Science Peer Reviewed Journal, 4, 87-90. Retrieved from <https://www.neojournals.com/index.php/nsprj/article/view/83> .

18. 7. Imomov Shavkat Jakhonovich, Murodov Tohir Faxriddin ugli, Isakov Zafarjon Shuxrat ugli, Ochilov Nuriddinjon zokirovich, Iskandarov Johongir Ochil ugli, & Ruziqulova Dilnoza Uktamovna. (2022). LOCAL FERTILIZER MACHINE WITH AUGER. Neo Science Peer Reviewed Journal, 4, 91-93. Retrieved from <https://www.neojournals.com/index.php/nsprj/article/view/84>

19. 8. Ruziqulov , J. ., Kurbonboyev, S. ., Xusinov, S., & Ruziqulova , D. . (2023). IMPROVEMENT OF THE SCRAPER WORK EQUIPMENT AND IMPROVING ITS EFFICIENCY. Eurasian Journal of Academic Research,3(1 Part 4), 12-16. извлечено от <https://in-academy.uz/index.php/ejar/article/view/8935>

20. 9. P.G.Hikmatov, J.U.Ruzikulov, O.S.Sayidov, Ruziqulova Dilnoza Uktamovna , IMPROVED MACHINE FOR SPREADING AND COMPACTING ROAD CONSTRUCTION MATERIALS., International Bulletin of Applied Science and Technology: Vol. 3 No. 6 (2023): International Bulletin of Applied Science and Technology <https://researchcitations.com/index.php/ibast/article/-view/2020>

21. 10. P.G.Hikmatov, J.U.Ruzikulov , O.S.Sayidov, Ruzikulova Dilnoza Uktamovna , SELECTION OF AN AUGER DEVICE FOR A MACHINE FOR SPREADING AND COMPACTING IMPROVED ROAD CONSTRUCTION MATERIALS , International Bulletin of Applied Science and Technology: Vol. 3 No. 6 (2023): International Bulletin of Applied Science and Technology <https://researchcitations.com/index.php/ibast/article/view/2009>

22. 11. U.I.Khasanov, A.A.Jurayev, J.U.Ruziqulov, X.Maratrov, & D.U.Ro'ziqulova. (2023). PORTABLE DRIP IRRIGATION SYSTEM. Multidisciplinary Journal of Science and Technology, 3(4), 184-188. <https://doi.org/10.5281/zenodo.10184611>

23. 12. A.A.Jo'rayev, J.O'.Ro'ziqulov, Sh.Ergashov, & D.O'.Ro'ziqulova. (2023). Improvement of single-bucket hydraulic excavator working equipment to prevent violation of their design parameters when cleaning concrete channels. technical science research in uzbekistan, 1(4), 251-254. <https://doi.org/10.5281/zenodo.10195687>

24. 13. J.U.Ruzikulov, D.U.Ruzikulova, U.F.Khusenov. ENERGY-SAVING DEVICE FOR TEMPORARY DITCH PRODUCTION FRANCE international scientific-online conference: "SCIENTIFIC APPROACH TO THE MODERN EDUCATION SYSTEM" PART 18, 5thOCTOBER <https://interonconf.org/index.-php/fra/article/view/7258/6260>

25. 14. Рузикулов Жасур Уктам угли, Хусенов Ўлмас Файзулло угли, Рузикулова Дилноза Уктамовна. Теоритические предпосылки определения тяглого сопротивления канавокопателя с дисковыми ножами. Finland, Helsinki international scientific online conference “Sustainability of education socio-economic science theory” <http://www.interonconf.net>

26. 15. U.I.Khasanov, A.A.Jurayev, J.U.Ruziqulov, X.Maratov, & D.U.Ro'ziqulova. (2023). PORTABLE DRIP IRRIGATION SYSTEM. Multidisciplinary Journal of Science and Technology, 3(4), 184–188. Retrieved from <http://mjstjournal.com/index.php/mjst/article/view/336>

27. 16. A.A.Jo'rayev, J.O'.Ro'ziqulov, Sh.Ergashov, & D.O'.Ro'ziqulova. (2023). IMPROVEMENT OF SINGLE-BUCKET HYDRAULIC EXCAVATOR WORKING EQUIPMENT TO PREVENT VIOLATION OF THEIR DESIGN PARAMETERS WHEN CLEANING CONCRETE CHANNELS. TECHNICAL SCIENCE RESEARCH IN UZBEKISTAN, 1(4), 251–254. Retrieved from <https://universalpublishings.com/~niverta1/index.php/tsru/article/view/2768>

28. 17. Jurayev Akram, Ruziqulov Jasur Uktam ugli, Kurbanov Mukhammad, Ruziqulova Dilnoza Uktamovna, Xusinov Sarvarbek Norbek ugli “The law of change of the angle forming the horizontal when digging a temporary ditch” Vol. 2 No. 24 (2023): INNOVATIVE ACHIEVEMENTS IN SCIENCE 2023 THE LAW OF CHANGE OF THE ANGLE FORMING THE HORIZONTAL WHEN DIGGING A TEMPORARY DITCH | INNOVATIVE ACHIEVEMENTS IN SCIENCE 2022 (interonconf.org)

29. 18. Jurayev Akram, Ruziqulov Jasur Uktam ugli, Kurbanov Mukhammad, Ruziqulova Dilnoza Uktamovna, Khusenov Ulmas, “Determination of gravity resistance of the pawl structure device between cotton rows in one pass of the aggregate” Vol. 2 No. 24 (2023): INNOVATIVE ACHIEVEMENTS IN SCIENCE 2023 DETERMINATION OF GRAVITY RESISTANCE OF THE PAWL STRUCTURE DEVICE BETWEEN COTTON ROWS IN ONE PASS OF THE AGGREGATE | INNOVATIVE ACHIEVEMENTS IN SCIENCE 2022 (interonconf.org)

30. 19. Jasur Uktam ugli, Kurbanov Mukhammad, Ruziqulova Dilnoza Uktamovna, Xusinov Sarvarbek Norbek ugli, “Increasing the efficiency of temporary ditch excavator”, Vol. 2 No. 24 (2023): INNOVATIVE ACHIEVEMENTS IN SCIENCE 2023 INCREASING THE EFFECIENCY OF TEMPORARY DITCH EXCAVATOR | INNOVATIVE ACHIEVEMENTS IN SCIENCE 2022 (interonconf.org)